

## Vegetable Slicer TR300 Vegetable Cutter with Motor Unit, Ejector & Stand

ITEM # \_\_\_\_\_

MODEL # \_\_\_\_\_

NAME # \_\_\_\_\_

SIS # \_\_\_\_\_

AIA # \_\_\_\_\_


**602069 (TR300B)**

Vegetable Slicer for catering use. Motor Unit with ejector (for all types of work except chips) and stand (hopper not included)

### Short Form Specification

**Item No.** \_\_\_\_\_

Vegetable preparation machine for caterers serving more than 600 settings for table service and more to 4000 settings for catering service. Freestanding 1 speed (260 rpm) motor unit, includes the standard ejector used in all types of preparations except chips (the ejector for chips is available as an option). 2 different hoppers available upon request: automatic hopper, for all vegetables except long; long vegetable hopper with 9 tubes in various sizes for cutting long vegetables horizontally when in an upright position.

### Main Features

- Vegetable slicer with slicing, grating, shredding (julienne) as well as dicing and French fries cutting capability.
- Includes the standard ejector used in all types of preparations except chips.
- Motor base delivered on stand, including disks rack.
- Available upon request:
  - Automatic hopper for regular vegetable feeding. Suitable for all types of preparation with the exception of long vegetables.
  - Long vegetable hopper to cut long vegetables into horizontal slices (9 tubes).
- Specific chip equipment (6, 8, 10 mm size) to be used with the proper chip ejector disc.
- Complete selection of blades and grids available (diameter 300 mm).
- Maximum vegetable size is 75 mm diameter with automatic hopper.
- Capacity from 600 meals upwards for table service and up to 5000 for catering service.

### Construction

- Motor base equipped with external device to easily lift the hoppers during operations.
- Three phase motor
- Power: 1500 watts.
- 1 speed model.

### Included Accessories

- 1 of Ejector for all types of work (except chips) PNC 653142

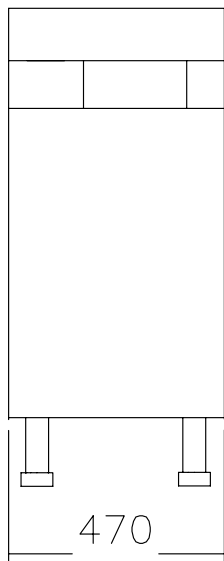
### Optional Accessories

- Stainless steel grating disc for parmesan (dia. 300 mm) PNC 650148
- Stainless steel grating disc for knoedeln (dia. 300 mm) PNC 650149
- Stainless steel grating disc 2 mm (dia. 300 mm) PNC 650150
- Stainless steel grating disc 3 mm (dia. 300 mm) PNC 650151
- Stainless steel grating disc 4 mm (dia. 300 mm) PNC 650152
- Stainless steel grating disc 7 mm (dia. 300 mm) PNC 650153
- Stainless steel grating disc 9 mm (dia. 300 mm) PNC 650154
- Stainless steel cabbage grating disc with central shaft for stem removal 7 mm - to be combined with cabbage hopper PNC 650157
- Dicing grid 10 mm for TR300 PNC 653068
- Chip equipment 10 x 10 mm PNC 653069
- Dicing grid 20 mm for TR300 PNC 653073

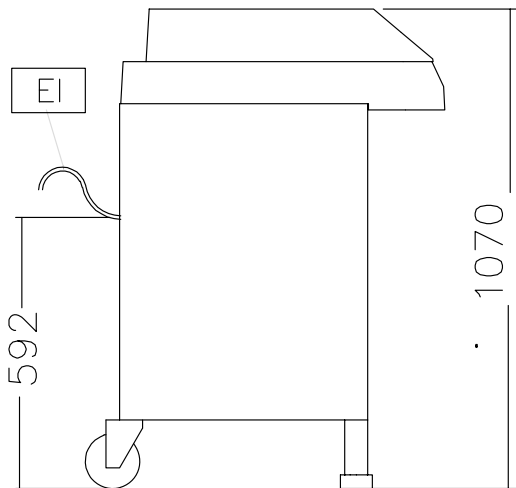
**APPROVAL:** \_\_\_\_\_

- Chip equipment 8 x 8 mm PNC 653074
- Dicing grid 16 mm for TR300 PNC 653075
- Chip equipment 6 x 6 mm PNC 653076
- Long vegetable hopper with 9 tubes different sizes for TR300 PNC 653129
- Ejector for all types of work (except chips) PNC 653142
- Ejector for chips (to be used with the chip equipment) PNC 653143
- Slicing disc 2 mm (dia. 300 mm) PNC 653172
- Slicing disc 3 mm (dia. 300 mm) PNC 653173
- Slicing disc 1 mm (dia. 300 mm) PNC 653188
- Slicing disc 5 mm (dia. 300 mm) PNC 653189
- Slicing disc 6 mm (dia. 300 mm) PNC 653190
- Slicing disc 8 mm (dia. 300 mm) PNC 653191
- Slicing disc 10 mm (dia. 300 mm) PNC 653192
- Slicing disc 16 mm (dia. 300 mm) PNC 653193
- Shredding disc 2x2 mm (dia. 300 mm) PNC 653195
- Shredding disc 3x3 mm (dia. 300 mm) PNC 653196
- Shredding disc 4x4 mm (dia. 300 mm) PNC 653197
- Shredding disc 6x6 mm (can also be used for chips - dia. 300 mm) PNC 653198
- Shredding disc 8x8 mm (can also be used for chips - dia. 300 mm) PNC 653199
- Shredding disc 10x10 mm (can also be used for chips - dia. 300 mm) PNC 653200
- Disc with corrugated blades 2 mm (dia. 300 mm) PNC 653217
- Disc with corrugated blades 3 mm (dia. 300 mm) PNC 653218
- Disc with corrugated blades 6 mm (dia. 300 mm) PNC 653219
- Stainless steel trolley suitable to hold one 2/1 GN container (GN container not included) PNC 653224
- Dicing grid 32 mm for TR300 PNC 653259
- Dicing grid 12 mm for TR300 PNC 653499
- Automatic hopper for TR300 PNC 653771

Front

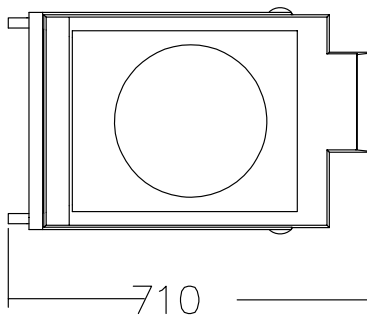


Side



EI = Electrical inlet (power)

Top


**Electric**

Supply voltage:

220-240/380-415 V/3 ph/50 Hz

602069 (TR300B)

Electrical power max.:

1.5 kW

Total Watts:

1.5 kW

**Capacity:**

Performance (up to):

4000 kg/hour

**Key Information:**

External dimensions, Width: 470 mm

External dimensions, Depth: 710 mm

External dimensions, Height: 1070 mm

Shipping weight:

102 kg